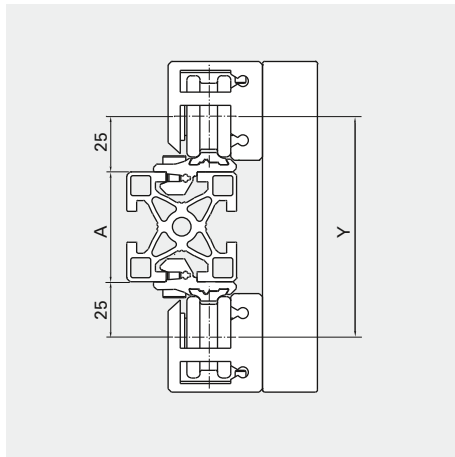


Linear Motion System Carriage Combination Examples



	LIN 1501	LIN 2001
Y	0.1	0.15

